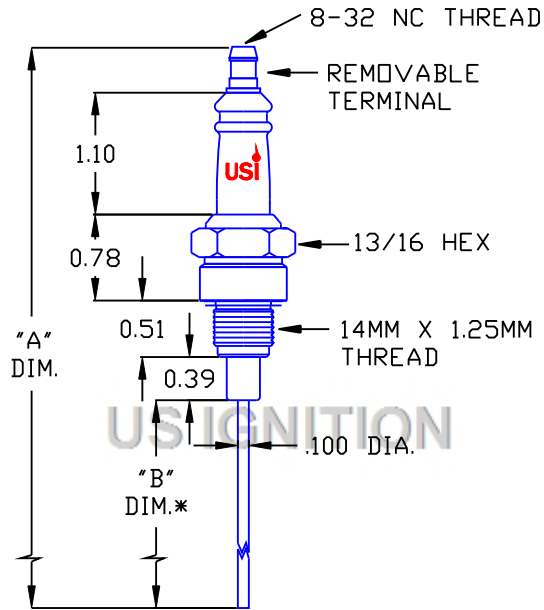


**U. S. IGNITION**  
**224 N. MAIN**  
**CHADWICK, IL. 61014**



14MM X 1.25MM MOUNTING THREAD		USI	CROSS REFERENCE			
"A" DIM	"B" DIM*	PART NO.	AUBURN	CROWN	CHAMPION	MAXON
4.16 REF.	.97	R6070	I-33	CA490	J99	41058
7.19 REF.	4.00	R6074	—	—	—	—
9.19 REF.	6.00	R6071	I-33-6	CA496	OY-6-5	—

\* STANDARD STOCK SIZES  
 ALTERNATIVE LENGTHS ARE AVAILABLE ON REQUEST  
 DIMENSIONS ARE IN INCHES UNLESS OTHERWISE NOTED

**14MM X 1.25MM THREAD**

**MADE IN USA**

E-MAIL: [INFO@USIGNITION.COM](mailto:INFO@USIGNITION.COM)

PHONE: 800/732-4602  
 FAX: 815/684-5160