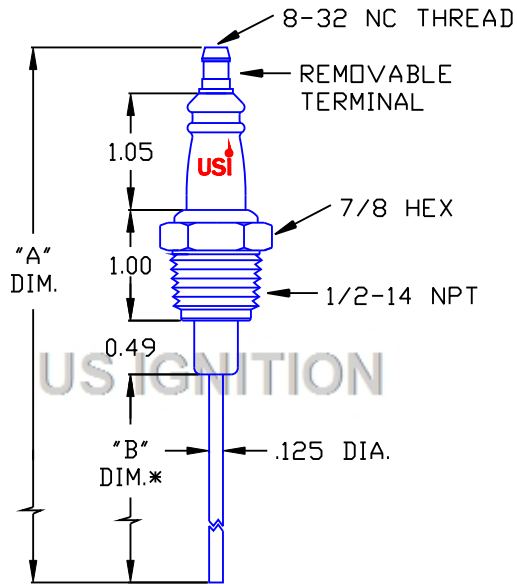


U. S. IGNITION
224 N. MAIN
CHADWICK, IL. 61014



1/2-14 NPT

MADE IN USA

1/2-14 NPT MOUNTING THREAD		USI	CROSS REFERENCE			
"A" DIM	"B" DIM*	PART NO.	AUBURN	CROWN	ECLIPSE	CHAMPION
3.45 REF.	.50	R6049	1-6 (.50")	—	16946-6	—
3.70 REF.	.75	R6048	1-6 (.75")	—	16946-5	—
4.33 REF.	1.38	R6046	1-6 (1.38")	—	16946-3	—
4.76 REF.	1.81	R6041	1-6 (1.81")	—	16946-7	—
4.95 REF.	2.00	R6053	1-6 (2")	—	16946-9	—
5.45 REF.	2.50	R6047	1-6 (2.50")	—	16946-4	—
7.39 REF.	4.44	R6054	1-6 (4.44)	—	16946-2	—
7.95 REF.	5.00	R6045	1-6	CA140	16946-1	OP-9
8.95 REF.	6.00	R6086	1-6-6	CA141	—	—
14.95 REF.	12.00	R6087	1-6-12	CA142	—	—
20.95 REF.	18.00	R6088	1-6-18	CA143	—	—
26.95 REF.	24.00	R6089	1-6-24	CA144	—	—
34.95 REF.	32.00	R6095	1-6-32	—	—	—
37.95 REF.	35.00	R6090	1-6-35	CA145	—	—
38.95 REF.	36.00	R6116	1-6-36	—	—	—
50.95 REF.	48.00	R6091	1-6-48	CA146	—	—

* STANDARD STOCK SIZES
 ALTERNATIVE LENGTHS ARE AVAILABLE ON REQUEST
 DIMENSIONS ARE IN INCHES UNLESS OTHERWISE NOTED

E-MAIL: INFO@USIGNITION.COM

PHONE: 800/732-4602
 FAX: 815/684-5160